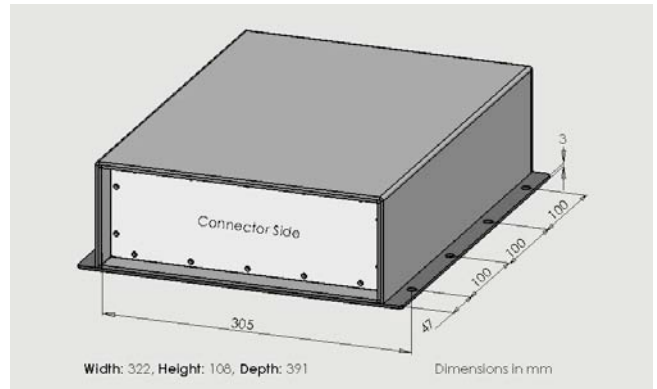


Outdoor Housings

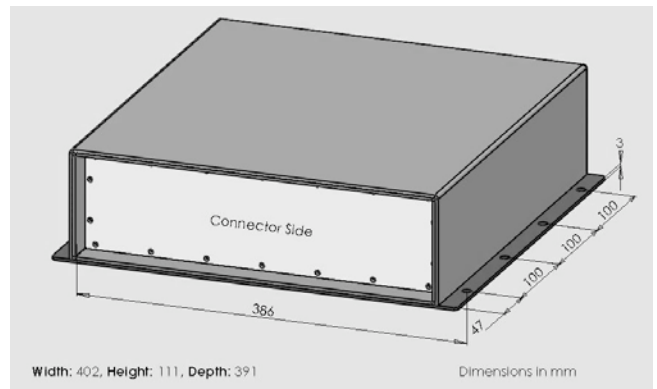


WORK Microwave provides its proven satellite communication equipment also in different outdoor housings, which can be used under all weather conditions. The units can be operated over a temperature range -30°C to 60°C (-22°F to 140°F). In the non-operating modus they survive temperatures of -50°C to 80°C (-58°F to 176°F) without any damage. Same as the 19" rack mount units, they meet the requirements for modern satellite transmission applications, such as for TV up-link and high-speed data network installations. Because of their rugged construction and low power consumption, they are most suitable for fixed satellite earth stations, satellite news gathering (SNG) vehicles or Fly-Aways.



Dimensions of small Outdoor Housing

WORK Microwave outdoor units are best fit to be mounted directly to the antenna. They do not require additional protection against water. The housing provides environmental protection according to IP67 (temporary flooding) when all cables are connected and sealed appropriately. Special environmental protection sleeves for the coaxial connectors allow optimal sealing from the housing to the cable. Additionally the housing should be mounted with the connector side down. Alternatively the connector panel can be in a vertical position.



Dimensions of large Outdoor Housing

Monitoring and Control Interface:	RS232 or RS422/RS485 Alarm output: Two potential free contacts (DPDT) 24 V DC output: max 0,3 A 6,5 V DC output: max 0,2 A Mute Input: TTL logic input with internal pull up (Connector type: MIL-C-26482: MS 3120 E 14-19 S)
Temperature Range:	-30°C ... 60°C operating (10 minutes warmup at -30°C)
Relative Humidity:	<100 %
Mains Power Input:	100 ... 240 V AC nominal, 90...264 V AC max, 50...60 Hz
Mains Power Input Connector:	Amphenol C16-1 (3+PE) male
Dimensions:	322 x 108 x 391 mm ³ (WxHxD) (small housing) 402 x 111 x 391 mm ³ (WxHxD) (large housing)
Degree of Protection:	IP 67 (acc. IEC 529)